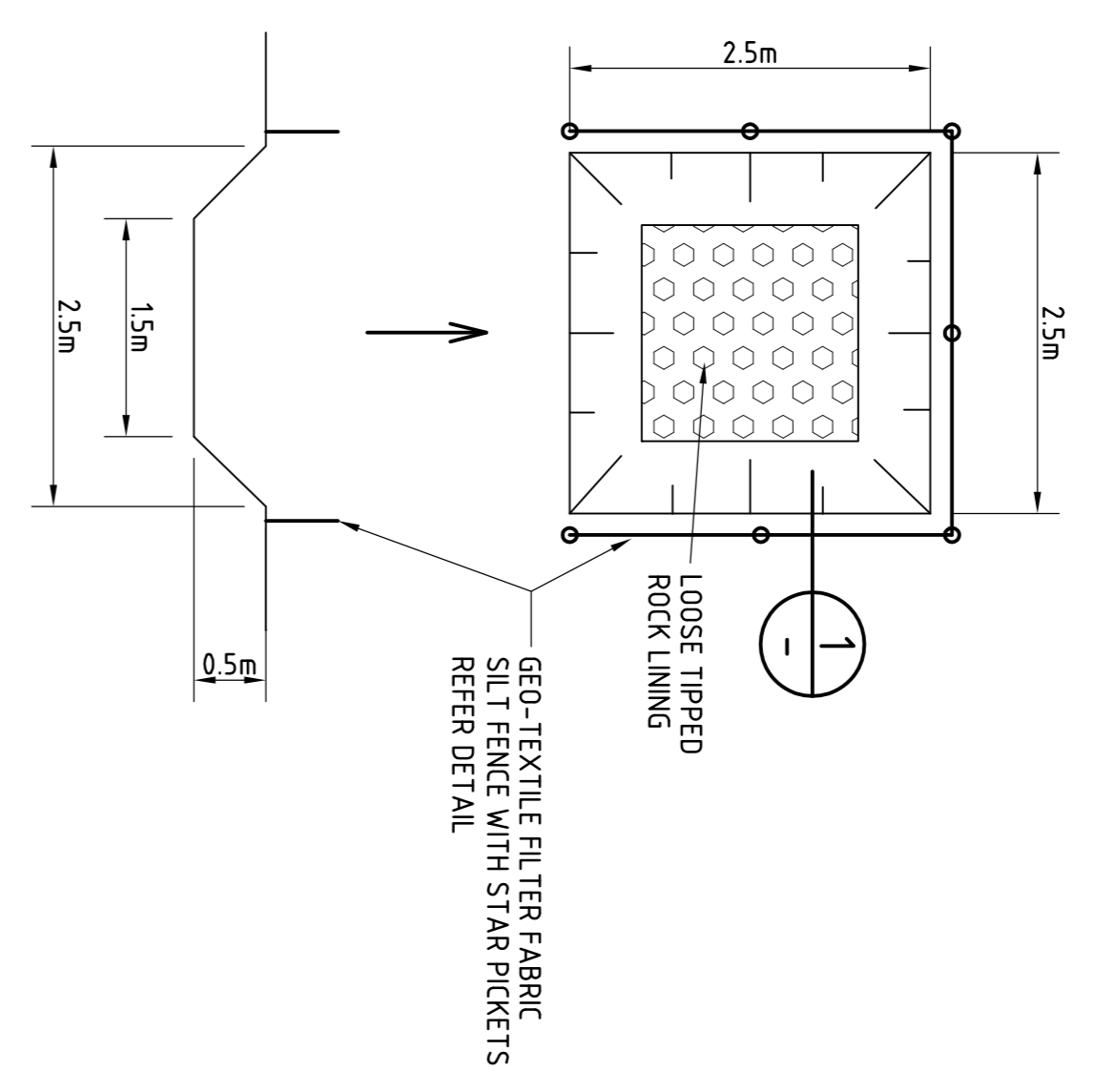
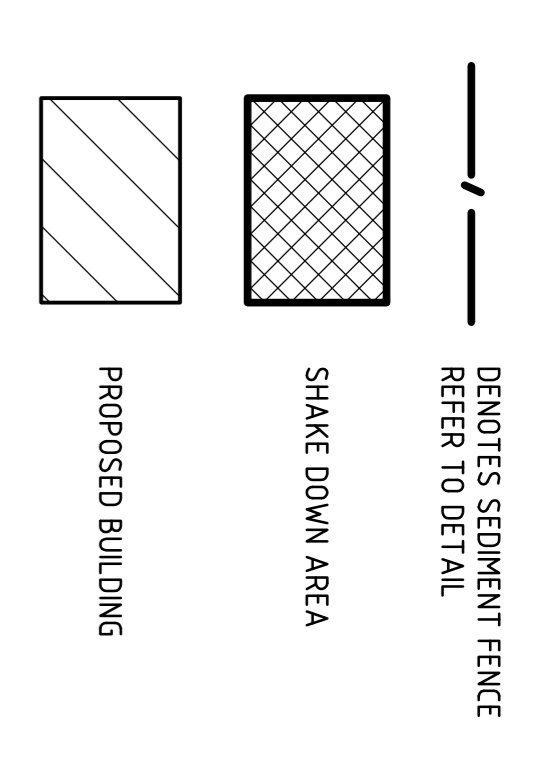


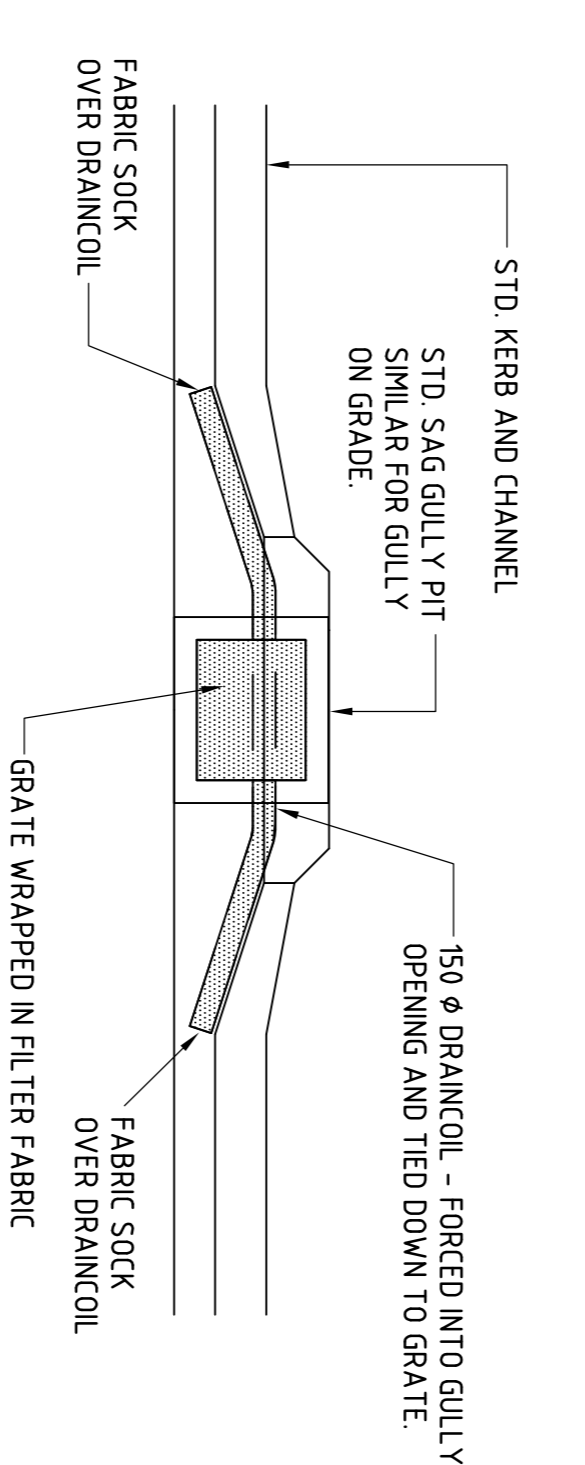
NOTES : SEDIMENT CONTROL

- CONSTRUCTION IS TO BE PROGRAMMED TO PROVIDE INSTALLATION OF PERIMETER LANDSCAPING/SURFACE TREATMENT AS EARLY AS PRACTICAL.
- AT THE PRESTART MEETING THE CONTRACTORS WORKS PROGRAM IS TO BE REVIEWED. ALTERATIONS TO THE PROGRAM MAY BE REQUIRED TO ENSURE SATISFACTORY EROSION AND SEDIMENT CONTROL.
- A PHOTOGRAPHIC RECORD OF SEDIMENT AND EROSION CONTROL DEVICES AND THE IMMEDIATE DOWNSTREAM STORMWATER SYSTEM IS TO BE CARRIED OUT ON A FORTNIGHTLY CYCLE AND AFTER EACH MAJOR STORM EVENT. CARRY OUT CORRECTIVE AND PREVENTATIVE ACTION AS REQUIRED.
- PUBLIC AND WORKPLACE SAFETY ISSUES MUST BE CONSIDERED AND MONITORED FOR EACH DEVICE TO THE SATISFACTION OF THE SUPERINTENDENT.
- WOVEN FABRICS ARE TO BE USED FOR SEDIMENT FENCE FILTER FABRIC. SEDIMENT MANAGEMENT DEVICES SHALL BE INSTALLED PRIOR TO COMMENCEMENT OF CONSTRUCTION ACTIVITIES AND MAINTAINED AT A SUITABLE LEVEL/CONDITION THROUGHOUT CONSTRUCTION. SEDIMENT FENCES ARE TO BE CLEANED OUT WHEN CAPACITY IS REDUCED TO 30% DRAINAGE STRUCTURE PROTECTION IS TO BE CLEANED FOLLOWING EACH SIGNIFICANT RUNOFF PRODUCING STORM.
- THE CONTRACTOR SHALL PROVIDE TEMPORARY DRAINAGE CONTROL TO DIVERT FLOW FROM UNDISTURBED AREAS AROUND DISTURBED AREAS AND DIRECT FLOW FROM DISTURBED AREAS TOWARDS CONTROL DEVICES.
- PONDED RAINFALL SHALL BE PUMPED THROUGH A SEDIMENT FENCE LOCATED ON THE SITE BEFORE DISCHARGING INTO THE DOWNSTREAM STORMWATER SYSTEM. THE CONTRACTOR SHALL BE RESPONSIBLE FOR THE INSPECTION AND MAINTENANCE OF SEDIMENT AND EROSION CONTROL DEVICES. ALL DEVICES ARE TO BE INSPECTED AT LEAST WEEKLY AND AFTER SIGNIFICANT PRODUCING STORMS.
- IF EROSION AND SEDIMENT CONTROL DEVICES HAVE BEEN FOUND TO BE DEFICIENT OR FAILED IN SERVICE DUE TO UNFORESEEN CIRCUMSTANCES CORRECTIVE ACTION IS TO BE UNDERTAKEN BY THE CONTRACTOR IMMEDIATELY WHICH MAY INCLUDE AMENDMENTS OR ADDITIONS TO THE ORIGINAL EROSION CONTROL PLANS. SUCH ADDITIONS OR AMENDMENTS ARE TO BE APPROVED BY THE SUPERINTENDENT.
- STRAW BALES USED IN SEDIMENT DEVICES ARE TO BE REPLACED AFTER A MAXIMUM SERVICE PERIOD OF 6 WEEKS.
- SEDIMENT MANAGEMENT DEVICES ARE TO BE MAINTAINED BY THE CONTRACTOR AS NOTED AND DETAILED UNTIL APPROVAL HAS BEEN GRANTED BY THE ENGINEER FOR THERE REMOVAL. THE CONTRACTOR IS TO REMOVE AND DISPOSE OF THESE DEVICES OFF SITE.
- ALL TEMPORARY ACCESS ROADS AND HARDESTAND AREAS ARE TO BE TRIMMED AND MAINTAINED IN A SERVICEABLE CONDITION FOR THE DURATION OF THE CONTRACT. ALL TEMPORARY ACCESS ROADS AND HARDESTAND AREAS ARE TO BE REINSTATED TO THE SATISFACTION OF THE SUPERINTENDENT AT THE END OF THE CONTRACT.

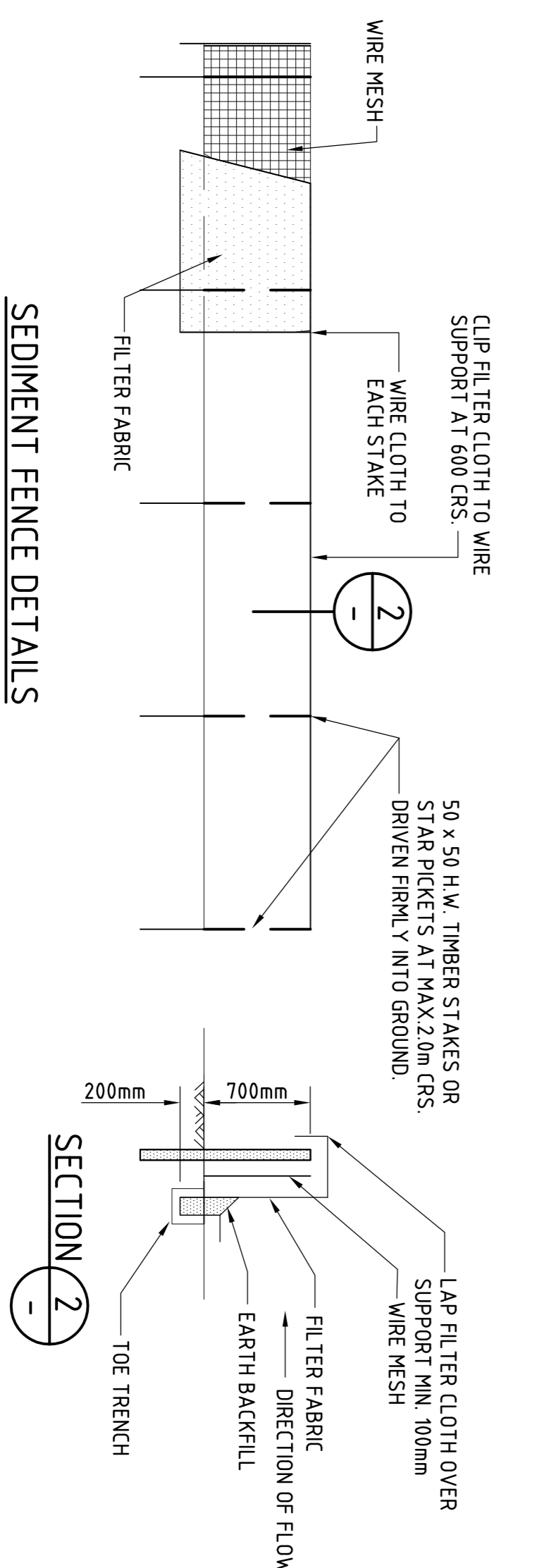
LEGEND



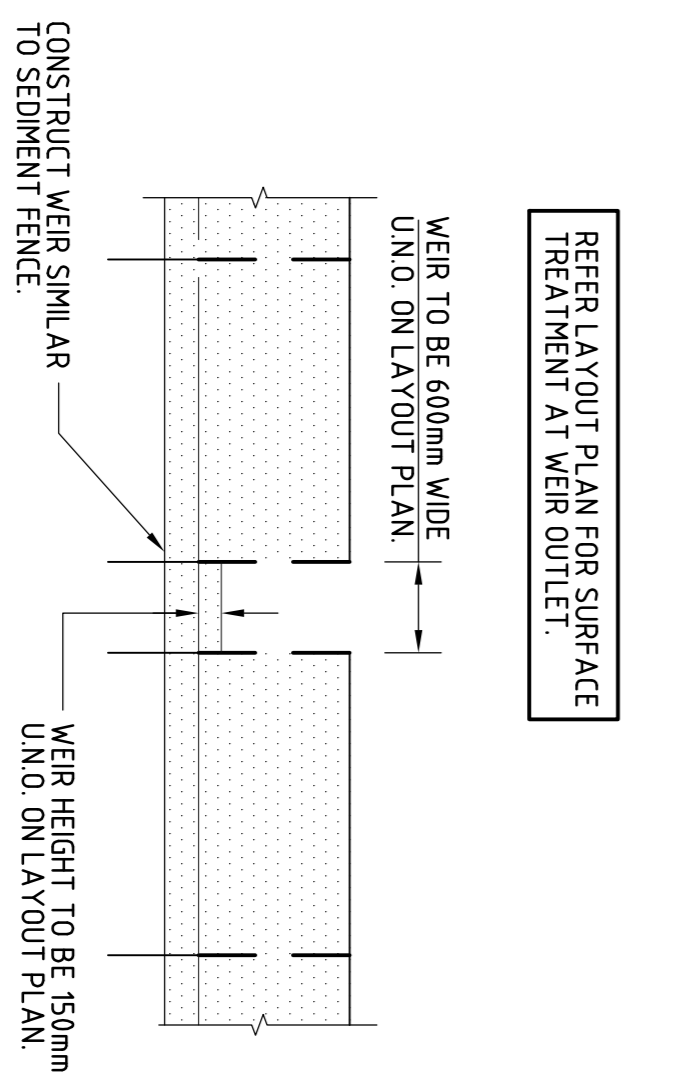
SILTATION TRAP DETAILS
SCALE 1:150



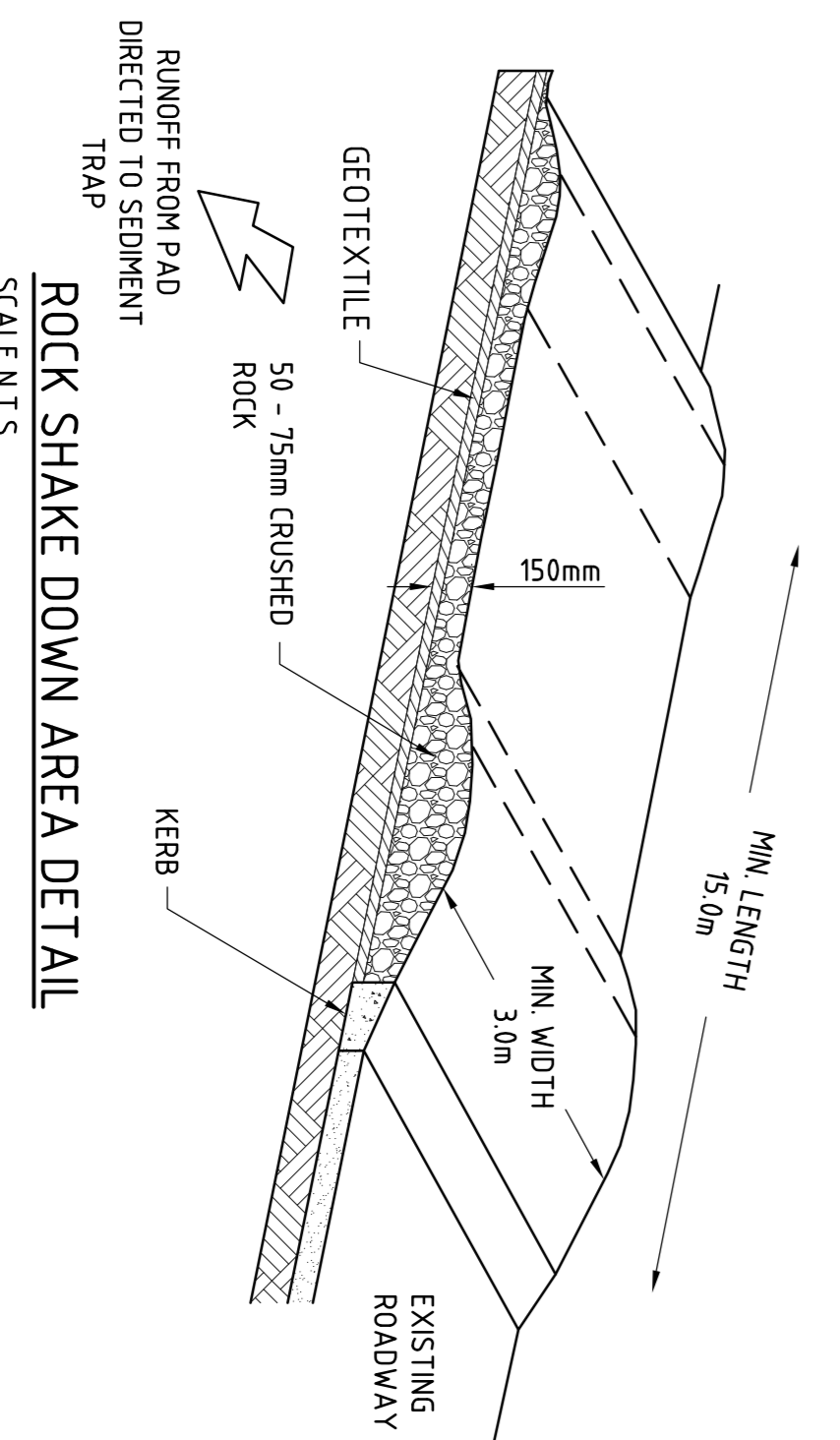
SILTATION CONTROL AT GULLY PIT (EXISTING)
SCALE 1:150
TO BE PROVIDED AT EXISTING GULLY PITS EXTERNAL TO SITE WHERE DIRECTED.



SEDIMENT FENCE DETAILS
SCALE 1:150



SEDIMENT FENCE WEIR
SCALE 1:150



ROCK SHAKE DOWN AREA DETAIL
SCALE N.T.S.

NO.	DATE	ISSUE	BY	CHECKED
1	16/04/2010	ISSUE FOR PERMIT	J.P.B.	J.A.W.
2	16/04/2010	REVISED DESIGN	J.P.B.	J.A.W.

IN ASSOCIATION WITH

SCALE A
SCALE B

SCALE A
0 5 10
1:250

SCALE B
0 5 10
1:250

COZENTS REGAN WILLIAMS PROVE
CONSULTING ENGINEERS
CIVIL • STRUCTURAL • LAND MANAGEMENT

SUITE 7 ADVANCE BUSINESS CENTRE
39 LAURENCE DRIVE NERANG
PO BOX 2711 NERANG QLD 4211
Telephone: (07) 5578 4100
Facsimile: (07) 5578 4092
Email: mail@crwqp.com.au

DESIGNED: J.P.B.
DRAWN: J.P.B.
CHECKED: J.A.W.
APPROVED FOR AND ON BEHALF OF:
COZENTS REGAN WILLIAMS PROVE PTY LTD
(REGD NO. 41)

CLIENT: SAINTS PETER & PAUL PRIMARY SCHOOL
PROJECT: PROPOSED MULTI-PURPOSE CENTRE AT BULIMBA
EROSION AND SEDIMENT CONTROL PLAN

JOB NO: 09280
DRAWING NO: C1